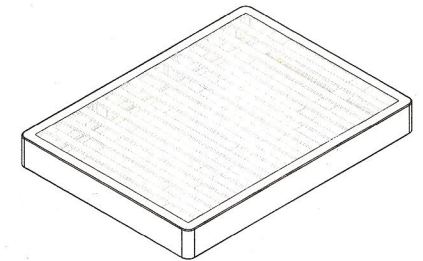




Knock Down Wood Mattress Foundation Assembly Instructions (KD-Foundation®) Made in USA



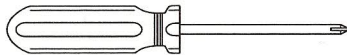
Nature's Sleep LLC • 11870 West State Road 84
Building C-4 • Davie, FL 33325 • 877-557-5337

Please Note:

- The Foundation is to be assembled on a hard flat surface
- It is recommended that two people are available for assembly

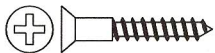
- Be aware of rough or sharp edges, use care during assembly
- Please follow steps in order for best results

Phillips screw driver is required for assembly



Supplied Hardware

60 - Wood Screws for Slats and Top & Bottom Rails (includes 4 extra screws)



Please visit WWW.Naturessleep.com for product information and video instructions.

- > Limited 3 year warranty visit WWW.NaturesSleep.com to view and register warranty
- > Compliant with CPSC FR1633

1. Identify components.

Left Side Frame

The top can be identified by the 1 inch wide rib.
The outside can be identified by the rounded corner.

Center Frame

The top can be identified by the flat top that travels the length of the frame.
Twin and Twin Long foundations do not use center frames.

Fabric Cover

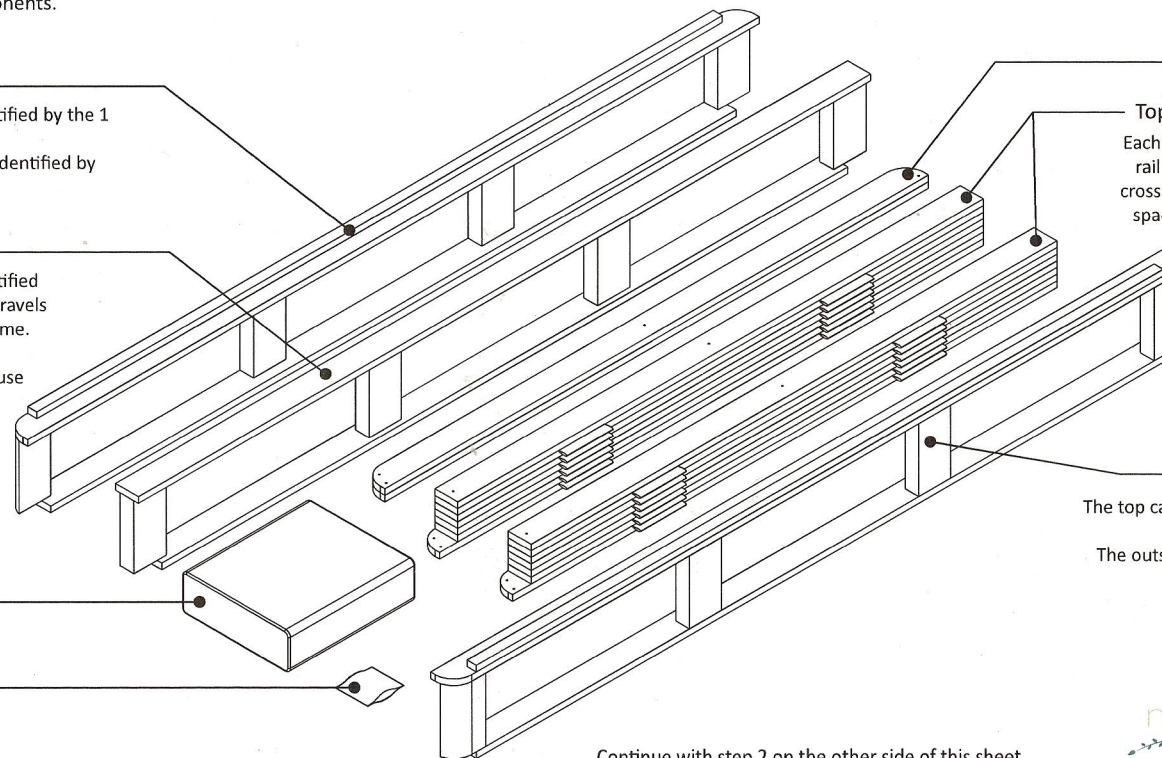
Screws

Bottom Cross Rails

Top Slat Bundle (2 sets)
Each set contains 1 top cross rail and 6 top slats. The top cross rail and slats are evenly spaced and connected with fabric strips.

Right Side Frame

The top can be identified by the 1 inch wide rib.
The outside can be identified by the rounded corner.



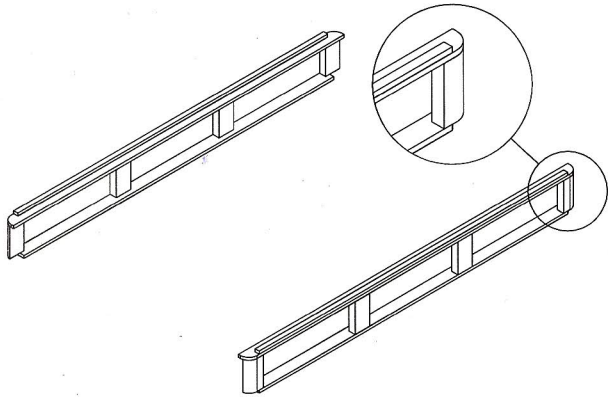
Continue with step 2 on the other side of this sheet.



Nature's Sleep KD-Foundation® Assembly Instructions Made in USA

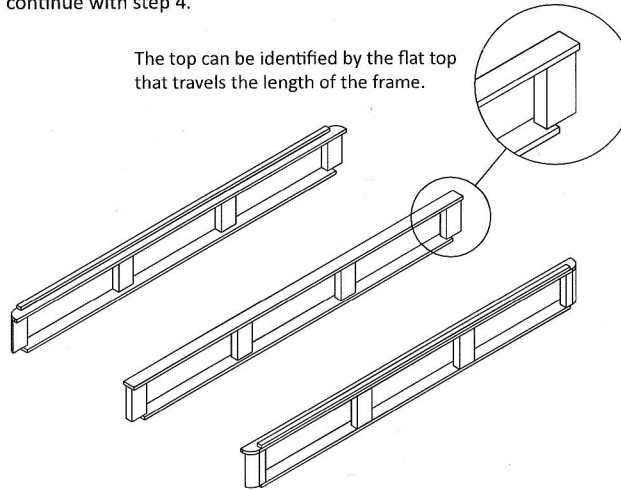
2. Place the Left Side Frame and the Right Side Frame with the 1" wide rib upward and to the outside.

The top can be identified by the 1 inch wide rib.
The outside can be identified by the rounded corner.

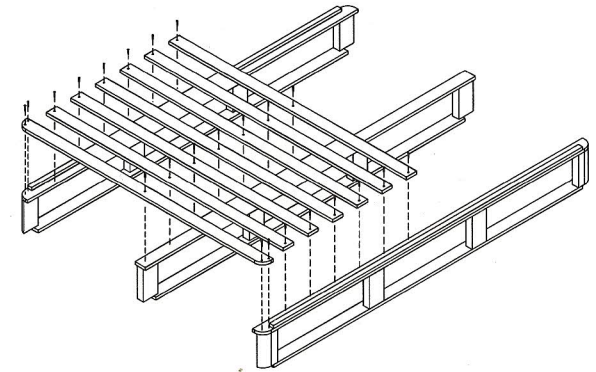


3. Place the Center Frame between Left and Right Side Frames with the flat full length side facing up. Please note that the Twin and Twin Long foundations do not use a center support, so skip this step, if need be, and continue with step 4.

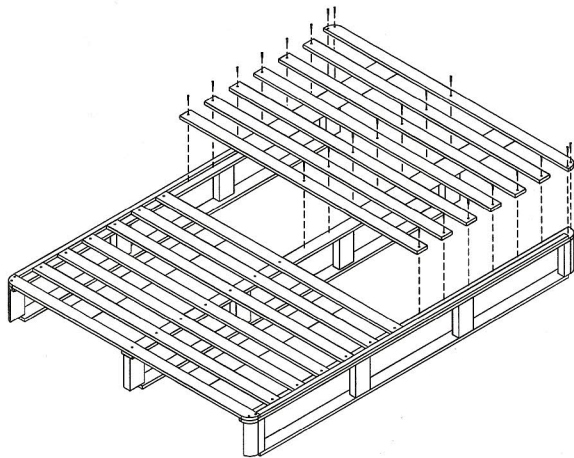
The top can be identified by the flat top that travels the length of the frame.



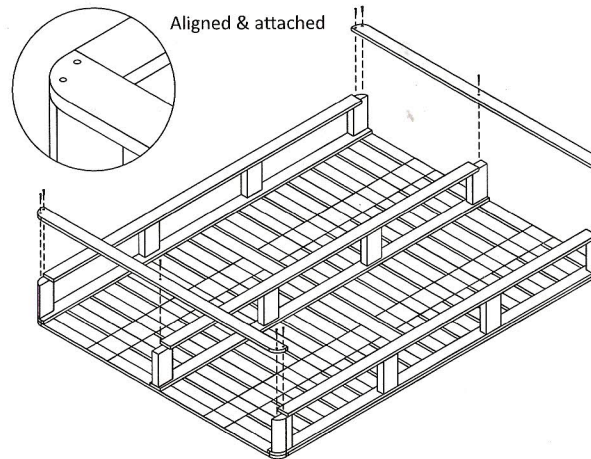
4. Unroll one Slat Bundle. Note that the first slat (top cross rail) is longer than the others. Attach one corner of the Top Cross Rail to one corner of the Side Frame using two wood screws. Make sure the slat is flush all around. Align other Side Frame and fasten using two wood screws. Align Center Frame and fasten using one wood screws. Align and attach the six Slats with three wood screws per slat at pre-drilled locations.



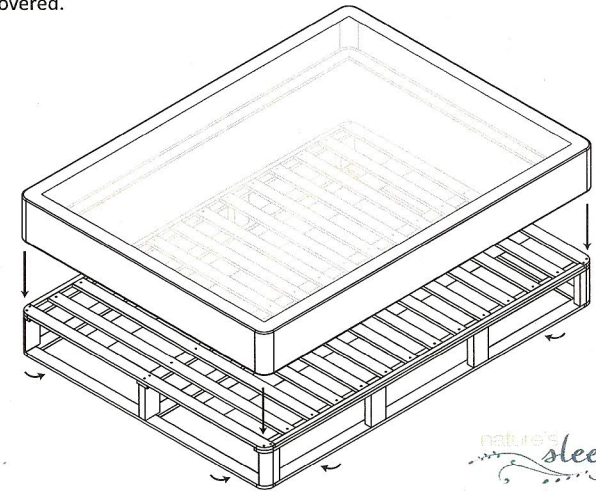
5. Unroll remaining Slat Bundle. As was done with previous Slat Bundle, attach Top Cross Rail to Frame ends using five wood screws. Make sure the Top Cross Rail is flush all around. Align and attach the six Slats with three wood screws per slat at pre-drilled locations.



6. Carefully turn the foundation over so the Slats are flat on the floor. Attach Bottom Cross Rails to the corners of the Side and Center Frames making sure they are flush all around. Attach bottom cross rails using five wood screws per rail.



7. Once again, turn the complete foundation over so the Slats are facing upwards. Unfold the cover and pull it over and around the foundation. Ensure the corners are aligned tightly and the entire foundation is covered.



Nature's Sleep